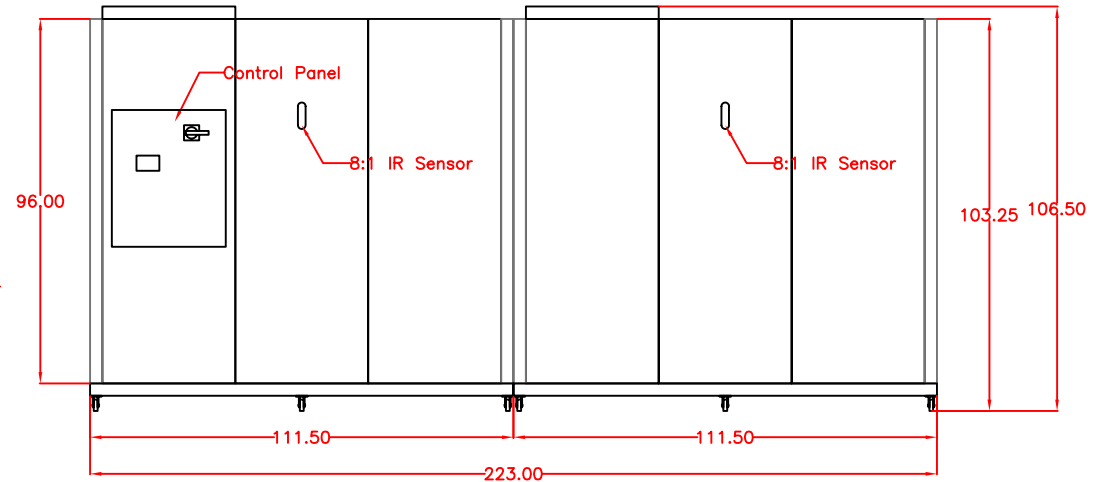
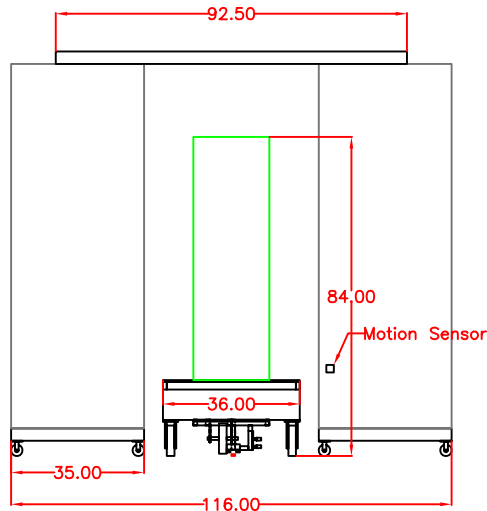
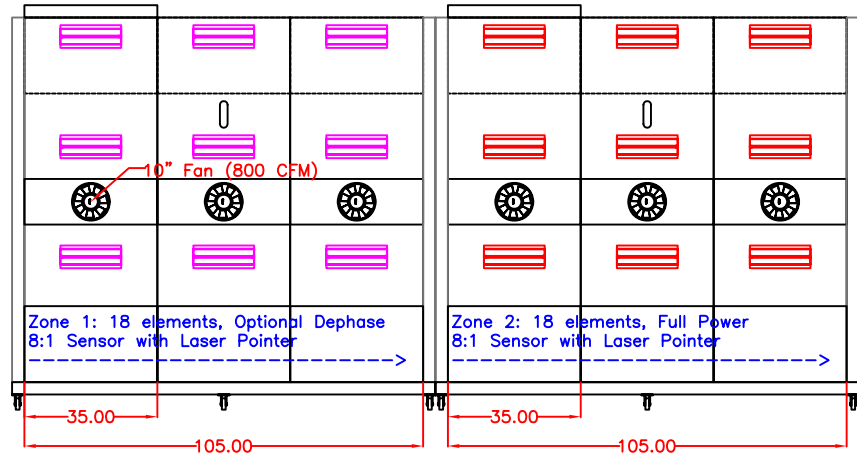
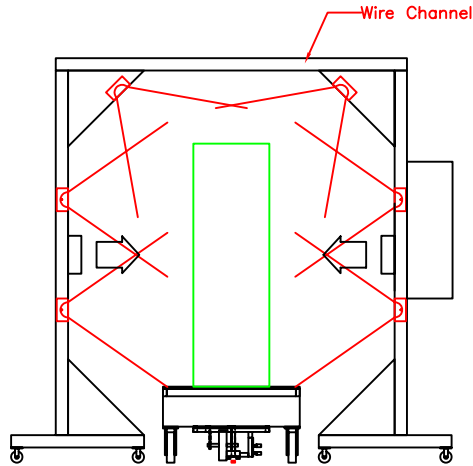


4-9ft Portable System

System uses 36 Halogen elements controlled by a touch screen control panel with two heat zones. A timed motion sensor activate the system when cart enters. Heat zone 1 with optional Dephase for medium wave cure. All heat zones use an 8:1 IR sensor with a laser pointer to monitors and controls heat. 12-10" circulation fan circulate internal air.

- Zone 1
 - 1 min. Medium wave
 - 2 min. Short wave

- Zone 2
 - 3 min. Short wave



Control panel with disconnect
 Touch Screen Controller – Timed motion sensor – 8:1 sensors – Allen Bradley contactors – Nema 12 panel – IEC motor overload

Power: 67kW @240V 3Ph ~180Amps

THIS DRAWING IS THE PROPERTY OF PRIME HEAT AND SHALL NOT BE COPIED OR REPRODUCED IN TOTAL OR IN PART WITHOUT THE EXPRESSED PERMISSION OF PRIME HEAT. THIS DRAWING WAS PREPARED WITH THE SOLE INTENT AS A GUIDE FOR THE PURPOSE OF THE INHOUSE MANUFACTURE OF A PRODUCT AND THE MAINTENANCE THEREOF. IT IS THE RESPONSIBILITY OF THE CONSUMER TO INSURE THAT ONLY QUALIFIED ELECTRICAL PERSONNEL UTILIZE THIS DOCUMENT.	DRAWN T. Lin 03/26/2012	1844 Friendship Drive El Cajon, CA 92020 (619) 449-6623 www.primeheat.biz	TITLE Portable System
	CHECKED		
	SCALE NONE	SHEET 1 OF 1	REV 1
	DWG No. Concept Drawing		